

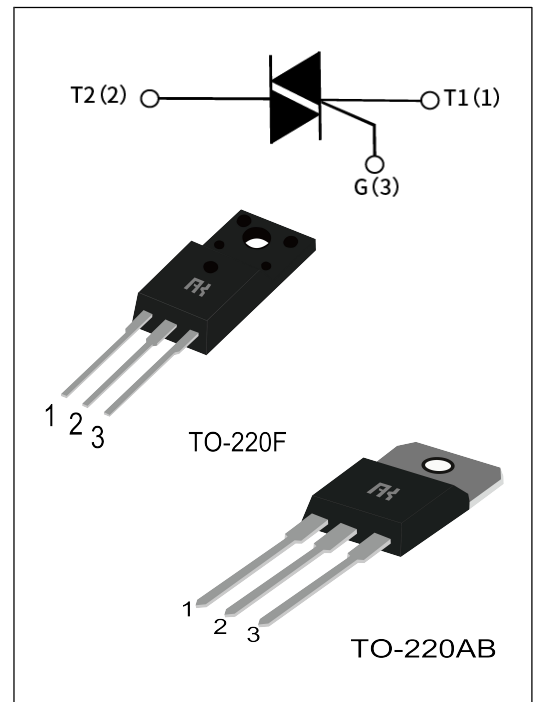
BTA20 Serial Standard TRIACS

GENERAL DESCRIPTION

High current density due to double mesa technology; Glass Passivation. BTA20 series TRIACS is suitable for general purpose AC switching. they can be used as an ON/OFF Function in applications such as static relays, heating regulation, induction motor starting circuits..or for phase control operation light dimmers, motor speed controllers.

Main Features:

$I_{T(RMS)}$	V_{DRM}/V_{RRM}	V_{TM}
20 A	600V 800V	≤ 1.55 V



Absolute Ratings(limiting values) :

Symbol	Parameter	Value	Unit	
T_{stg}	Storage junction temperature range	- 40 to + 150	$^{\circ}C$	
T_j	Operating junction temperature range	- 40 to + 125	$^{\circ}C$	
$I_{T(RMS)}$	RMS on-state current	TO-220AB(Ins) (TC=70 $^{\circ}C$)	20	A
		TO-220F(Ins) (TC=75 $^{\circ}C$)		
I_{TSM}	Non repetitive surge peak on-state current (tp=10ms)	200	A	
V_{DRM}	Repetitive peak off-state voltage(Tj =25 $^{\circ}C$)	600/800	V	
V_{RRM}	Repetitive peak reverse voltage(Tj =25 $^{\circ}C$)	600/800	V	
V_{DSM}	Non repetitive surge peak Off-state voltage	$V_{DRM} + 100$	V	
V_{RSM}	Non repetitive peak reverse voltage	$V_{RRM} + 100$	V	
I^2t	I^2t value for fusing tp = 10 ms	200	A 2s	
dI/dt	Critical rate of rise of on-state current ($I_G = 2 \times I_{GT}$)	100	A/ μs	

I_{GM}	Peak gate current	4	A
P_{G(AV)}	Average gate power dissipation	1	W
P_{GM}	Peak gate power	10	W

Electrical Characteristics : (T_j=25°C unless otherwise specified)

Symbol	Test Condition	Quadrant	Range	V _{DRM} /V _{R_{RRM}} : 600/800V		V _{DRM} /V _{R_{RRM}} :	Unit
				B	C	1200	
I_{GT}	V _D =12V R _L =33Ω	I-II-III	MAX	50	35	50	mA
V_{GT}		I-II-III	MAX	1.5			V
V_{GD}	V _D =V _{DRM} R _L =3.3kΩ T _j =125°C	I-II-III	MIN	0.2			V
I_L	I _G =1.2 I _{GT}	I-III	MAX	70	50	80	mA
		II		80	60	100	
I_H	I _{TM} = 100mA		MAX	60	40	70	mA
dV/dt	V _D =2/3V _{DRM} Gate Open T _j =125°C		MIN	500	250	200	V/μs
(dV/dt)_c	(dI/dt) _c =8.8A/ms T _j =125°C		MIN	12.5	7	7	V/μs

Static Characteristics

Symbol	Parameter		Value(MAX)	Unit
V_{TM}	I _{TM} =28A tp= 380μs	T _j =25°C	1.55	V
I_{DRM} I_{R_{RRM}}	V _D =V _{DRM} ,V _R =V _{R_{RRM}}	T _j =25°C	5	μ A
		T _j =125°C	2.5	mA

Thermal Resistances :

Symbol	Parameter		Value	Unit
R_{th(j-c)}	Junction to case for AC	TO-220AB(Ins)	3.9	°C/W
		TO-220F(Ins)	3.3	

FIG.1 Maximum power dissipation versus RMS on-state current

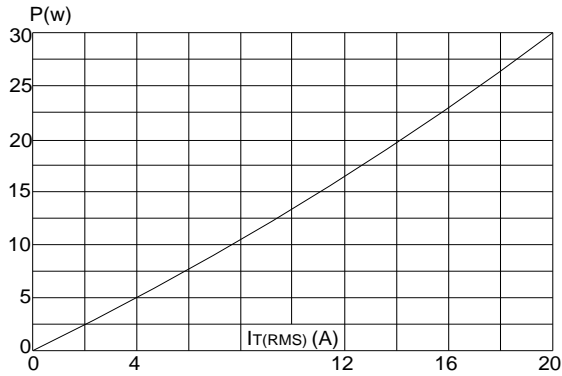


FIG.3: Surge peak on-state current versus number of cycles

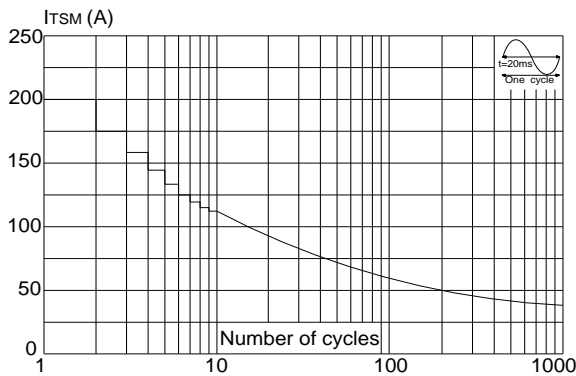


FIG.5: Non-repetitive surge peak on-state current for a sinusoidal pulse with width $t_p < 20\text{ms}$, and corresponding value of I^2t ($di/dt < 100\text{A}/\mu\text{s}$)

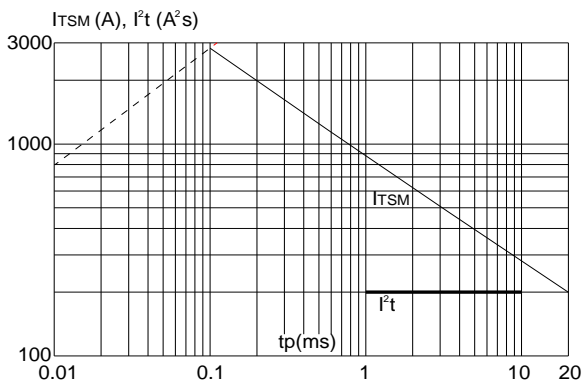


FIG.2: RMS on-state current versus case temperature

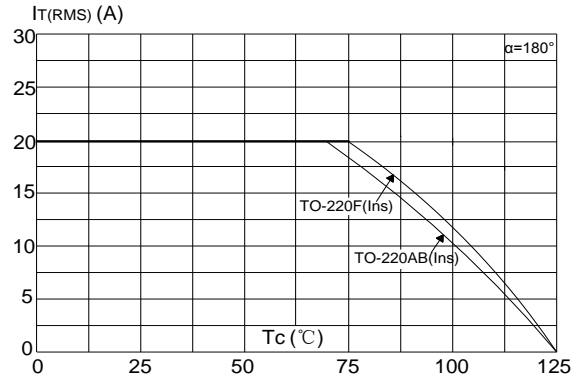


FIG.4: On-state characteristics (maximum values)

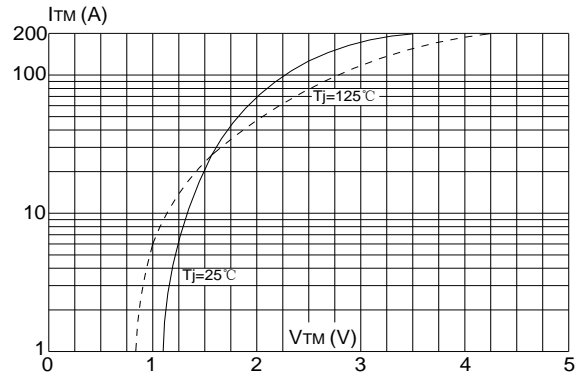
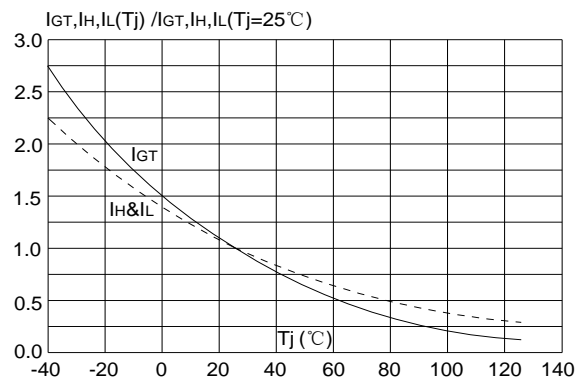
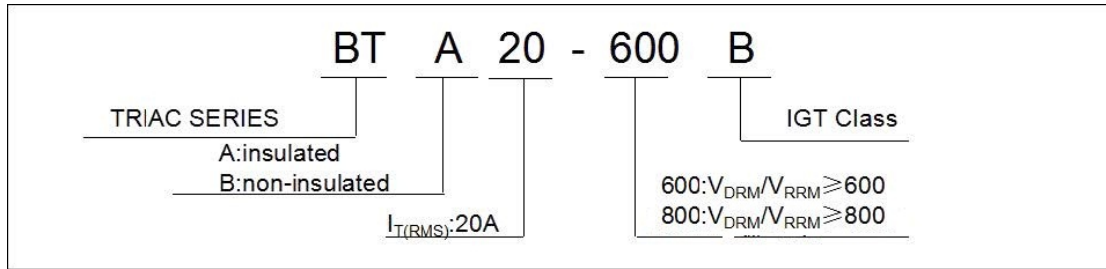


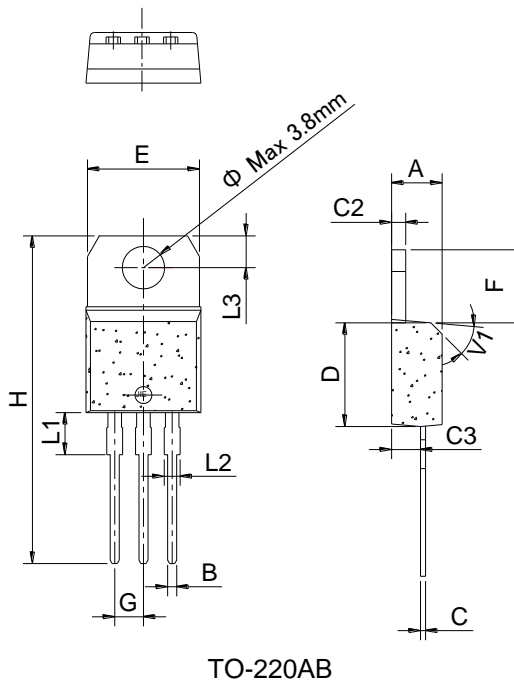
FIG.6: Relative variations of gate trigger current, holding current and latching current versus junction temperature



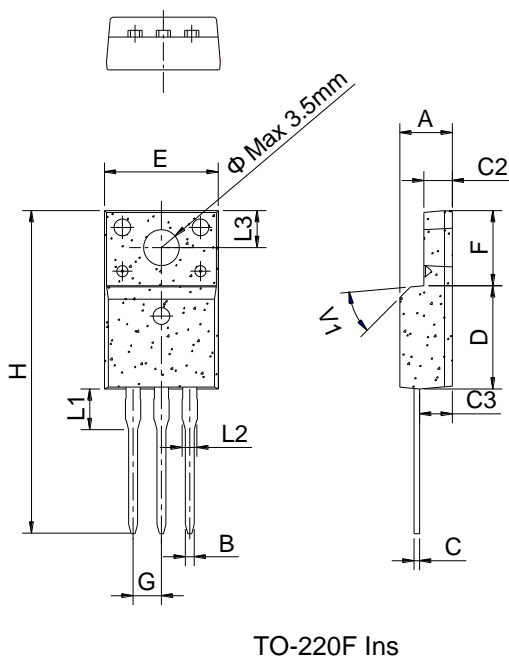
Ordering Information:



Package Mechanical Data :



Ref.	Dimensions					
	Millimeters			Inches		
	Min.	Typ.	Max.	Min.	Typ.	Max.
A	4.40		4.60	0.173		0.181
B	0.61		0.88	0.024		0.035
C	0.46		0.70	0.018		0.028
C2	1.21		1.32	0.048		0.052
C3	2.40		2.72	0.094		0.107
D	8.60		9.70	0.339		0.382
E	9.60		10.4	0.378		0.409
F	6.20		6.60	0.244		0.260
G		2.54			0.1	
H	28.0		29.8	1.102		1.173
L1		3.75			0.148	
L2	1.14		1.70	0.045		0.067
L3	2.65		2.95	0.104		0.116
V1		45°			45°	



Ref.	Dimensions					
	Millimeters			Inches		
	Min.	Typ.	Max.	Min.	Typ.	Max.
A	4.40		4.80	0.173		0.189
B	0.74	0.80	0.83	0.029	0.031	0.033
C	0.48		0.75	0.019		0.030
C2	2.40		2.70	0.094		0.106
C3	2.60		3.00	0.102		0.118
D	8.80		9.30	0.346		0.366
E	9.70		10.3	0.382		0.406
F	6.40		7.00	0.252		0.276
G		2.54			0.1	
H	28.0		29.8	1.102		1.173
L1		3.63			0.143	
L2	1.14		1.70	0.045		0.067
L3		3.30			0.130	
V1		45°			45°	