

## 1200V 25mΩ N-Channel SiC Power MOSFET

### Description

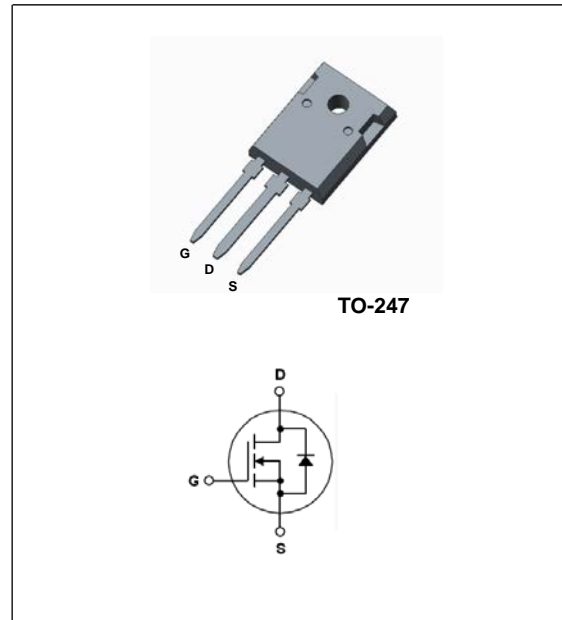
The AKCQH025N120B is a high blocking voltage N-Channel SiC power MOSFET. This device provide excellent performance for high voltage power supplies or pulse circuits.

### Features

- Typical on-Resistance:  $R_{DS(on)}=25m\Omega(\text{typ.})$
- High Blocking Voltage
- 100% Avalanche Test
- Good Stability and Uniformity with High  $E_{AS}$

### Applications

- Solar Inverters
- High Voltage DC/DC Converters
- Motor Drivers
- Switch Mode Power Supplies



### Absolute Maximum Ratings @ $T_C=25\text{ }^\circ\text{C}$ unless otherwise noted

Symbol	Parameter	Ratings	Unit
$V_{DSS}$	Drain to Source Voltage	1200	V
$V_{GSS}$	Gate to Source Voltage	-10/+25	V
$V_{GSop}$	Recommended operation Values of Gate -Source Voltage	-5/+20	V
$I_D$	Drain Current	$T_C=25\text{ }^\circ\text{C}$	80
		$T_C=100\text{ }^\circ\text{C}$	50
$I_{DM}$	Pulsed Drain Current (Note1)	200	A
$P_D$	Maximum Power Dissipation	$T_C=25\text{ }^\circ\text{C}$	428
	Derate above 25 $^\circ\text{C}$		2.86
$E_{AS}$	Single Pulsed Avalanche Energy (Note 2)	2560	mJ
$T_J$	Operating Junction Temperature Range	-40~+175	$^\circ\text{C}$
$T_{STG}$	Storage Temperature Range	-40~+175	$^\circ\text{C}$

### Thermal Characteristics

Symbol	Parameter	Ratings	Unit
$R_{th(J-C)}$	Thermal Resistance, Junction to case	0.35	$^\circ\text{C}/\text{W}$
$R_{th(J-A)}$	Thermal Resistance, Junction to Ambient	40	$^\circ\text{C}/\text{W}$

## Electrical Characteristics @ $T_c=25\text{ }^\circ\text{C}$ unless otherwise noted

Symbol	Parameter	Conditions	Min.	Typ.	Max.	Unit
$BV_{DSS}$	Drain to Source Breakdown Voltage	$V_{GS}=0V, I_D=100\mu A$	1200	-	-	V
$V_{GS(th)}$	Gate Threshold Voltage	$V_{DS}=V_{GS}, I_D=15mA$	2	3.0	4.7	V
$R_{DS(on)}$	Static Drain-Source On-Resistance	$V_{GS}=20V, I_D=50A$	-	25	45	m $\Omega$
$I_{DSS}$	Zero Gate Voltage Drain Current	$V_{DS}=V_{DSS}, V_{GS}=0V$	-	-	100	$\mu A$
$I_{GSS}$	Gate to Source Leakage Current	$V_{GS}=V_{GSS}, V_{DS}=0V$	-	-	$\pm 500$	nA

## D-S Diode Characteristics and Maximum Rating @ $T_c=25\text{ }^\circ\text{C}$ unless otherwise noted

Symbol	Parameter	Conditions	Min.	Typ.	Max.	Unit
$V_{SD}$	Drain-Source Diode Forward Voltage	$V_{GS}=0V, I_S=25A$	-	2.6	-	V
$t_{rr}$	Reverse Recovery Time	$V_{GS}=0V, I_S=20A,$ $di/dt=-1000A/\mu s$	-	50	-	ns
$Q_{rr}$	Reverse Recovery Charge		-	170	-	nC

## Switching Characteristics @ $T_c=25\text{ }^\circ\text{C}$ unless otherwise noted

Symbol	Parameter	Conditions	Min.	Typ.	Max.	Unit
$t_{d(on)}$	Turn-on Delay Time	$I_D=20A,$ $V_{DD}=800V,$ $R_G=2.5\Omega$ $V_{GS} = -5/20V,$ (Note 3)	-	26	-	ns
$t_r$	Turn-on Rise Time		-	22	-	ns
$t_{d(off)}$	Turn-off Delay Time		-	150	-	ns
$t_f$	Turn-off Fall Time		-	39	-	ns
$C_{iss}$	Input Capacitance	$V_{GS}=0V, V_{DS}=1000V,$ $f=1.0MHz$	-	4300	-	pF
$C_{oss}$	Output Capacitance		-	190	-	pF
$C_{riss}$	Reverse Transfer Capacitance		-	19	-	pF
$Q_g$	Total Gate Charge	$I_D=20A,$ $V_{DD}=800V$ $V_{GS}=-5V/20V$ (Note 3)	-	178	-	nC
$Q_{gs}$	Gate to Source Charge		-	63	-	nC
$Q_{gd}$	Gate to Drain Charge		-	28	-	nC

### Note:

1. Repetitive rating: pulse-width limited by maximum junction temperature
2.  $V_{DD}=100V, L=5mH, V_{clamp}=1700V, V_G=10V, I_D=32.0A$
3. Essentially independent of operating temperature typical characteristics

**Typical Performance Characteristics**

Fig. 1. Typical on-Resistance Characteristics

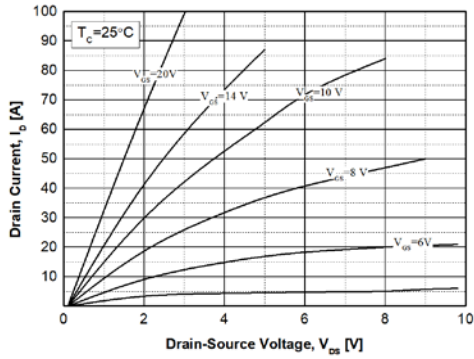


Fig. 2. Normalized On-Resistance vs. Drain Current and Gate Voltage

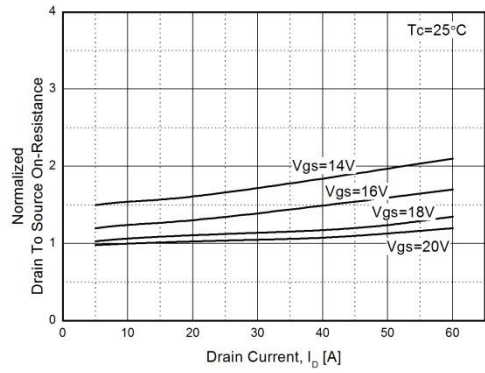


Fig. 3. Normalized On-Resistance vs. Junction Temperature

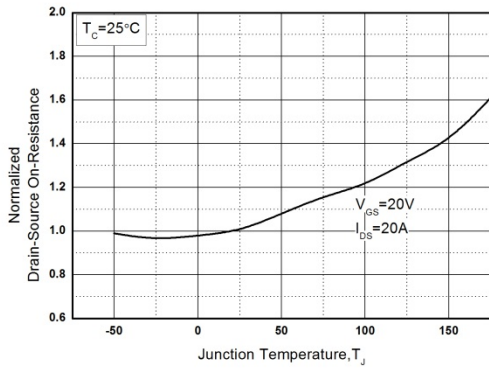


Fig. 4. On-Resistance vs. Gate-to-source Voltage

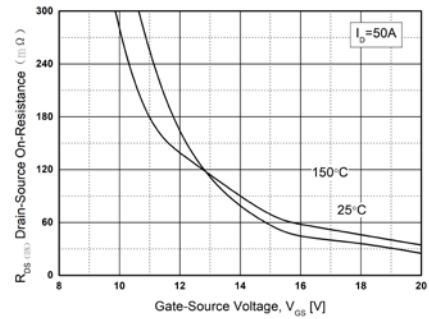


Fig. 5. Transfer Characteristics

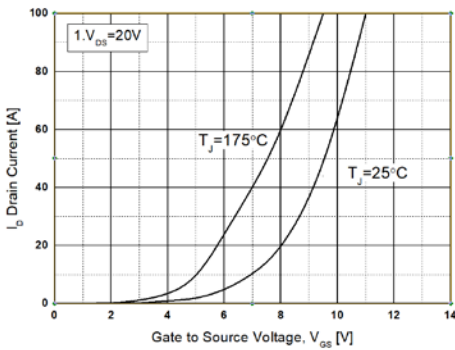
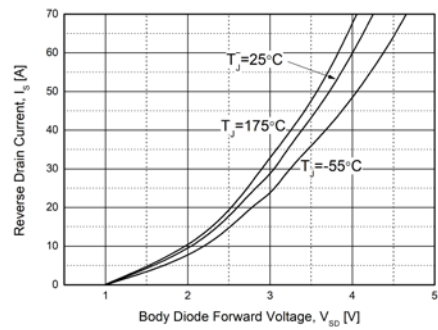


Fig. 6. Source-to-Drain Diode Forward Voltage vs. Source Current



**Typical Performance Characteristics**

Fig. 7. Gate Charge Characteristics

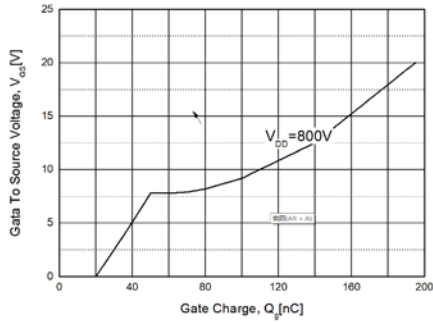


Fig. 8. Characteristics vs. Drain-to-Source Voltage

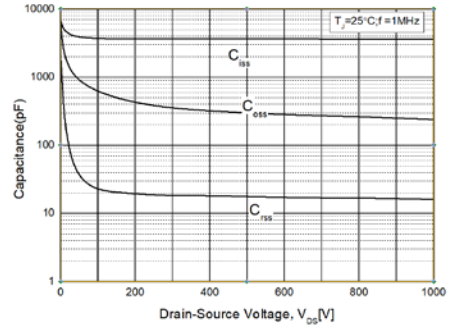
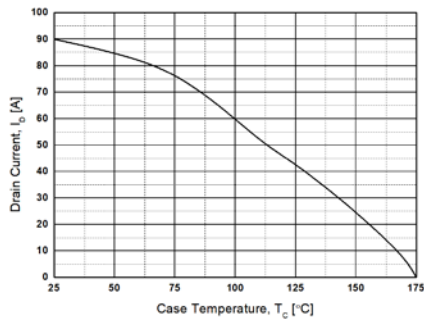


Fig. 9. Maximum Drain Current vs. Temperature



**Package Dimensions**

**TO-247**

(Dimensions in Millimeters)

