

## 400V Isolation FRD Module

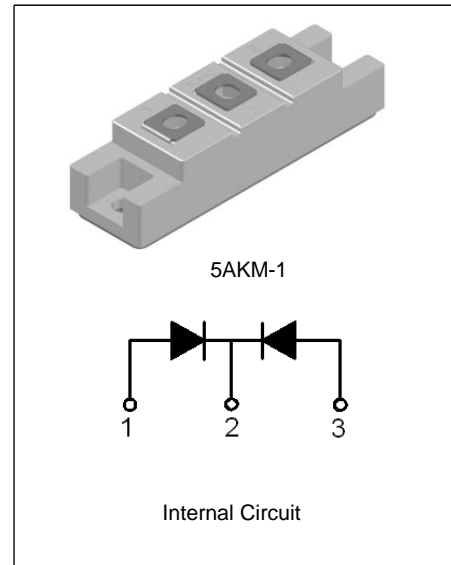
### Description

The Ultrafast Recovery Diode module devices are optimized to reduce losses and EMI/RFI in high frequency power conditioning electrical systems.

The Ultrafast Recovery Diode module is ideally suited for power converters, inverter welders, motor drives and other applications where switching losses are significant portion of the total losses.

### Features

- Repetitive Reverse Voltage:  $V_{RRM} = 400V$
- Low Forward Voltage:  $V_F(\text{typ.}) = 1.2V @ I_F=120A$
- Average Forward Current:  $I_{F(AV)} = 120A @ T_C=100^\circ C$
- Ultrafast Reverse Recovery Time:  $t_{rr}(\text{typ.}) = 90ns$
- Extensive Characterization of Recovery Parameters
- Reduced EMI and RFI
- $175^\circ C$  Operating Junction Temperature
- Built-in Dual FRD Construction



### Applications

- High Speed & High Power converters, Inverter Welders
- Various Switching and Telecommunication Power Supply

### Absolute Maximum Ratings (Per diode at $T_C=25^\circ C$ unless otherwise noted)

Symbol	Parameter	Ratings	Unit
$V_{RRM}$	Repetitive Peak Reverse Voltage	400	V
$V_R$	DC Blocking Voltage	320	V
$I_{F(AV)}$	Average Rectified Forward Current	$T_C = 25^\circ C$	200
		$T_C = 100^\circ C$	120
$I_{FSM}$	Non-repetitive Peak Surge Current 60Hz Single Half-sine Wave	2100	A
$I^2t$	$I^2t$ For Fusing 60Hz Sine Wave	$20 * 10^3$	$A^2S$
$P_D$	Maximum Power Dissipation	510	W
$T_J$	Junction Temperature	-55 ~ +175	$^\circ C$
$T_{STG}$	Storage Temperature Range	-55 ~ +150	$^\circ C$
	Mounting Torque (M5)	4.0	N.m
	Terminal Torque (M5)	2.0	N.m
	Weight	112	g

## Electrical Characteristics (Per diode @ $T_C=25\text{ }^\circ\text{C}$ unless otherwise noted)

Symbol	Parameter	Conditions	Min.	Typ.	Max.	Unit
$V_F$	Forward Voltage Drop	$I_F=120\text{A}$	-	1.2	1.45	V
		$I_F=120\text{A}, T_C=100^\circ\text{C}$	-	1.05	-	V
$I_{RM}$	Reverse Leakage Current	$V_R=400\text{V}$	-	-	0.5	mA
		$V_R=400\text{V}, T_C=100^\circ\text{C}$	-	-	1	mA
$t_{rr}$	Reverse Recovery Time	$I_F=1\text{A}, di/dt=-200\text{A}/\mu\text{s}$	-	33	-	ns
$t_{rr}$	Reverse Recovery Time	$I_F=120\text{A}, di/dt=-200\text{A}/\mu\text{s}$	-	90	110	ns
$I_{rr}$	Reverse Recovery Current		-	8.5	-	A
$t_{rr}$	Reverse Recovery Time	$I_F=120\text{A}, di/dt=-200\text{A}/\mu\text{s}, T_C=100^\circ\text{C}$	-	150	-	ns
$I_{rr}$	Reverse Recovery Current		-	16.3	-	A

## Thermal Characteristics

Symbol	Parameter	Ratings	Unit
$R_{th(J-C)}$	Thermal Resistance, Junction to case	0.25	$^\circ\text{C}/\text{W}$

**Typical Performance Characteristics**

Fig. 1. Typical Characteristics:  $V_F$  vs.  $I_F$

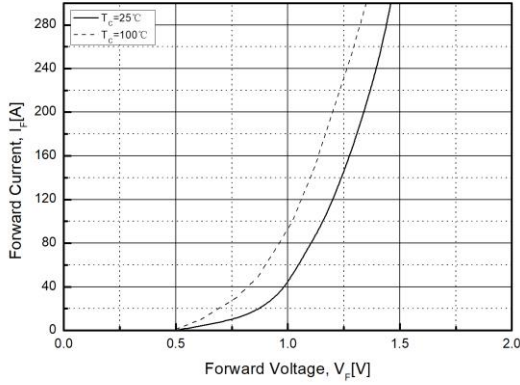


Fig. 2. Typical Reverse Recovery Time vs.  $di/dt$

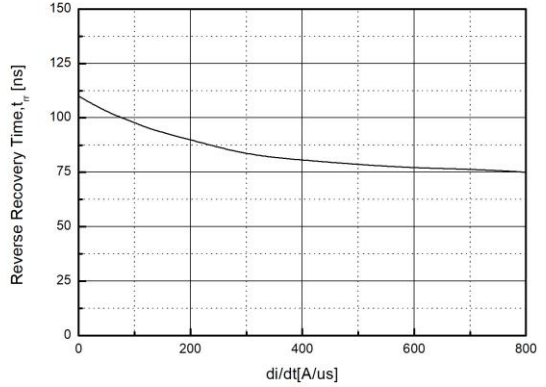


Fig. 3. Transient Thermal Impedance Characteristics ( $R_{th(J-C)}$ )

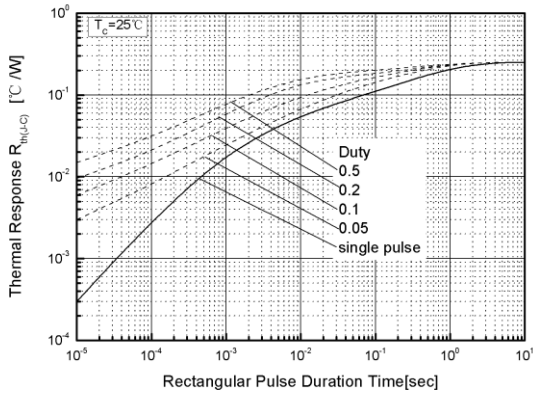
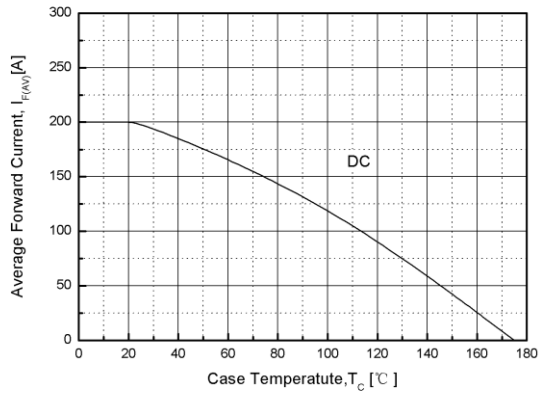
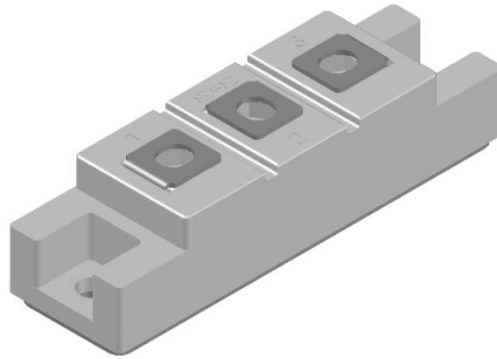


Fig. 4. Forward Current Derating Curve



**Package Dimensions**

**5AKM-1**



(Dimensions in Millimeters)

